



PI5C6801C

10-Bit Bus Switch with Precharged Outputs for Live Insertion and -2V Undershoot Protection

Product Features

- R_{ON} is 5 Ohm typical
- Undershoot protection on A-port only
- Industrial Operation Temperature: -40°C to $+85^{\circ}\text{C}$
- Near Zero propagation delay
- V_{CC} Operating Range: $+4.0\text{V}$ to $+5.5\text{V}$
- Outputs are pre-charged by bias voltage to minimize signal distortion during live insertion
- Packages options:
 - 24-pin 150 mil-wide plastic QSOP (Q)
 - 24-pin 173 mil-wide plastic TSSOP (L)

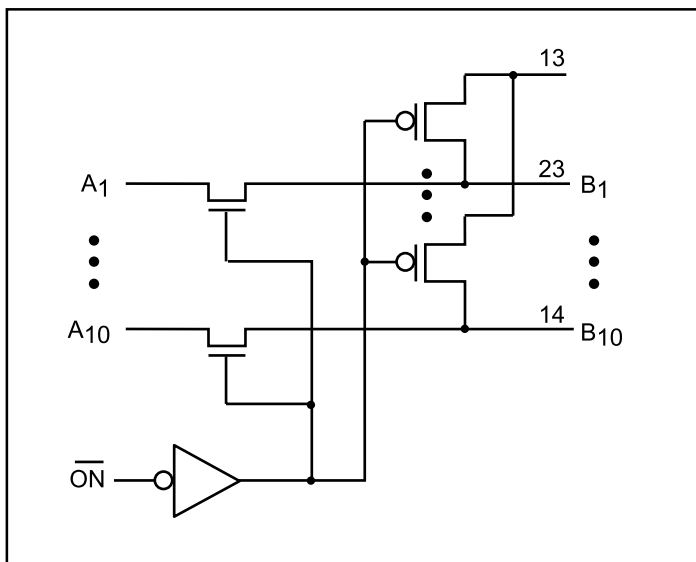
Product Description

Pericom's Semiconductor's PI5C series of logic circuits are produced using the Company's advanced submicron CMOS technology, achieving industry leading performance.

The PI5C6801C is a 10-bit bus switch with low on-state resistance. The bus switch creates no additional propagation delay. The device also precharges the B port to a user-selectable bias voltage (BIASV) to minimize live-insertion noise.

The switch is turned on by a single enable (\overline{ON}) input. When \overline{ON} is LOW, the switch is on and port A is connected to port B. When \overline{ON} is HIGH, the switch between port A and port B is open and the B port is precharged to BIASV through the equivalent of a 10-k Ω resistor.

Logic Diagram



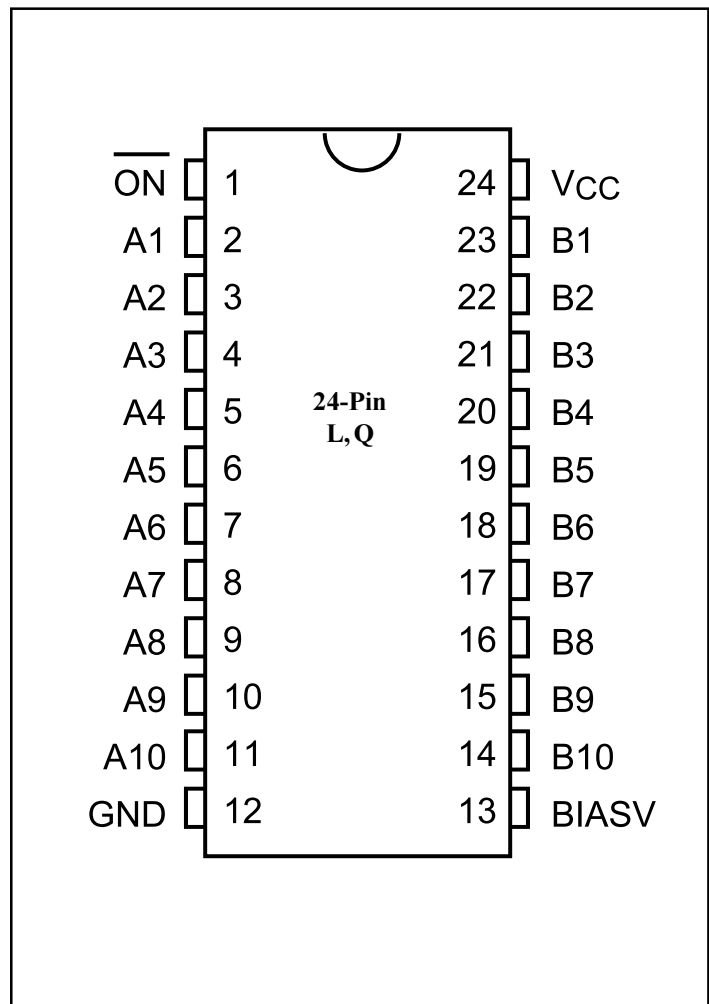
Truth Table⁽¹⁾

Function	\overline{ON}	B1 - B10
Connect	L	A1 - A10
Precharge	H	BIASV

Notes:

1. H= High Voltage Level
L= Low Voltage Level

Product Pin Configuration



Absolute Maximum Ratings Over Free-Air Temperature Range*

(Above which the useful life may be impaired. For user guidelines, not tested.)

Storage Temperature	-65°C to +150°C
Supply Voltage Range	-0.5V to +7V
DC Input Voltage ⁽¹⁾	-0.5V to +7V
Input Clamp Current, I _{IK} (V _I <0)	-50mA
DC Output Current	120mA
Power Dissipation ⁽²⁾	0.5W

Note:

Stresses greater than those listed under MAXIMUM RATINGS may cause permanent damage to the device. This is a stress rating only and functional operation of the device at these or any other conditions above those indicated in the operational sections of this specification is not implied. Exposure to absolute maximum rating conditions for extended periods may affect reliability.

Notes:

1. The input and output negative-voltage ratings may be exceeded if the input and output clamp-current ratings are observed.
2. The maximum package power dissipation is calculated using a junction temperature of 150°C and a board trace length of 750 mils.

Recommended Operating Conditions

Parameter	Description	Min.	Max.	Units
V _{CC}	Supply voltage	4	5.5	V
BIASV	Supply voltage	1.3	V _{CC}	
V _{IH}	High-Level input voltage	2		
V _{IL}	Low-level input voltage		0.8	
T _A	Operating free-air temperature	-40	85	°C

Electrical Characteristics (Over Recommended Operating Free-air Temperature Range)

Parameter	Test Conditions		Min.	Typ [†]	Max.	Units
V _{IK}	V _{CC} = 4.5V	I _I = -18mA			-1.8	V
I _I	V _{CC} = 5.5V	V _I = 5.5V or GND			±5	µA
I _O	V _{CC} = 4.5V	BIASV = 2.4V V _O = 0V	-0.20			mA
I _{CC}	V _{CC} = 5.5V	I _O = 0A V _I = V _{CC} or GND			100	µA
ΔI _{CC} [‡]	Control pins	V _{CC} = 5.5V One input at 3.4V Other at V _{CC} or GND			2.5	mA
C _I	Control pins	V _I = 3V or 0V		3.5		pF
C _O (OFF)		V _O = 3V or 0V Switch Off		4.5		
R _{ON} [*]	V _{CC} = 4V	V _I = 2.4V I _I = 15mA		9	28	Ω
		V _I = 0V I _I = 64mA		5.5	8	
	V _{CC} = 4.5V	V _I = 0V I _I = 30mA		5	8	
		V _I = 2.4V I _I = 15mA		9	16	

Notes:

- * Measured by the voltage drop between the A and B terminals at the indicated current through the switch. On-state resistance is determined by the lower of the voltages of the two (A or B) terminals.
- ‡ This is the increase in supply current for each input that is at the specified TTL voltage level rather the V_{CC} or GND.
- † All typical values are at V_{CC} = 5V, T_A = 25°C.

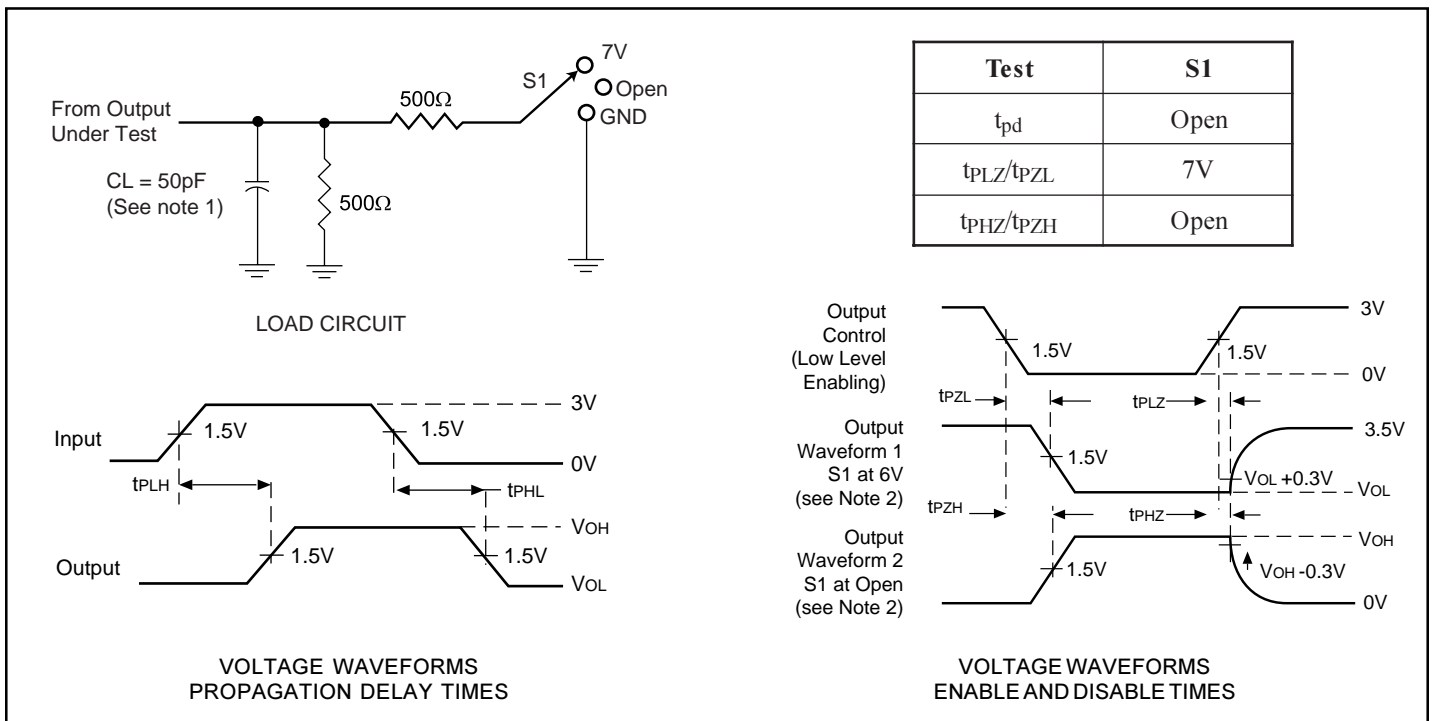
Switching Characteristics (Over Recommended Operating Free-air Temperature Range, $C_L = 50\text{pF}$)

Parameter	Test Conditions ⁽¹⁾	From (Input)	To (Output)	$V_{CC} = 5V \pm 0.5V$		$V_{CC} = 4V$		Units
				Min.	Max.	Min.	Max.	
t_{pd}		A or B	B or A		0.25		0.25	ns
t_{pZH}	BIASV = GND	ON	A or B	20	30	22	36	
t_{pZL}	BIASV = 3V			20	30	22	36	
t_{pHZ}	BIASV = GND	ON	A or B	20	30	22	36	
t_{pLZ}	BIASV = 3V			20	30	22	36	

Notes:

1. This parameter is warranted but not production tested. The propagation delay is based on the RC time constant of the typical on-state resistance of the switch and a load capacitance of 50pF, when driven by an ideal voltage source (zero output impedance).

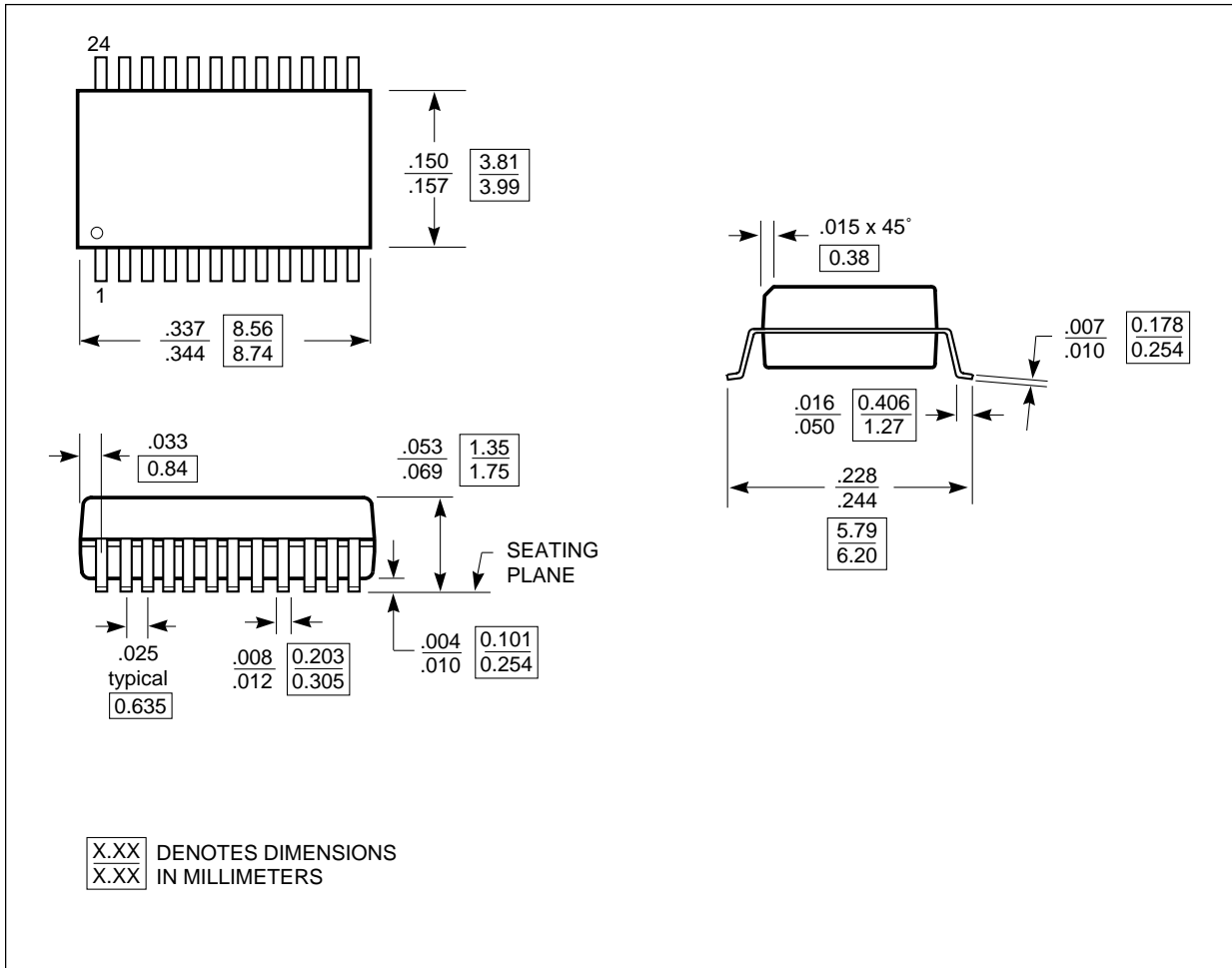
Parameter Measurements



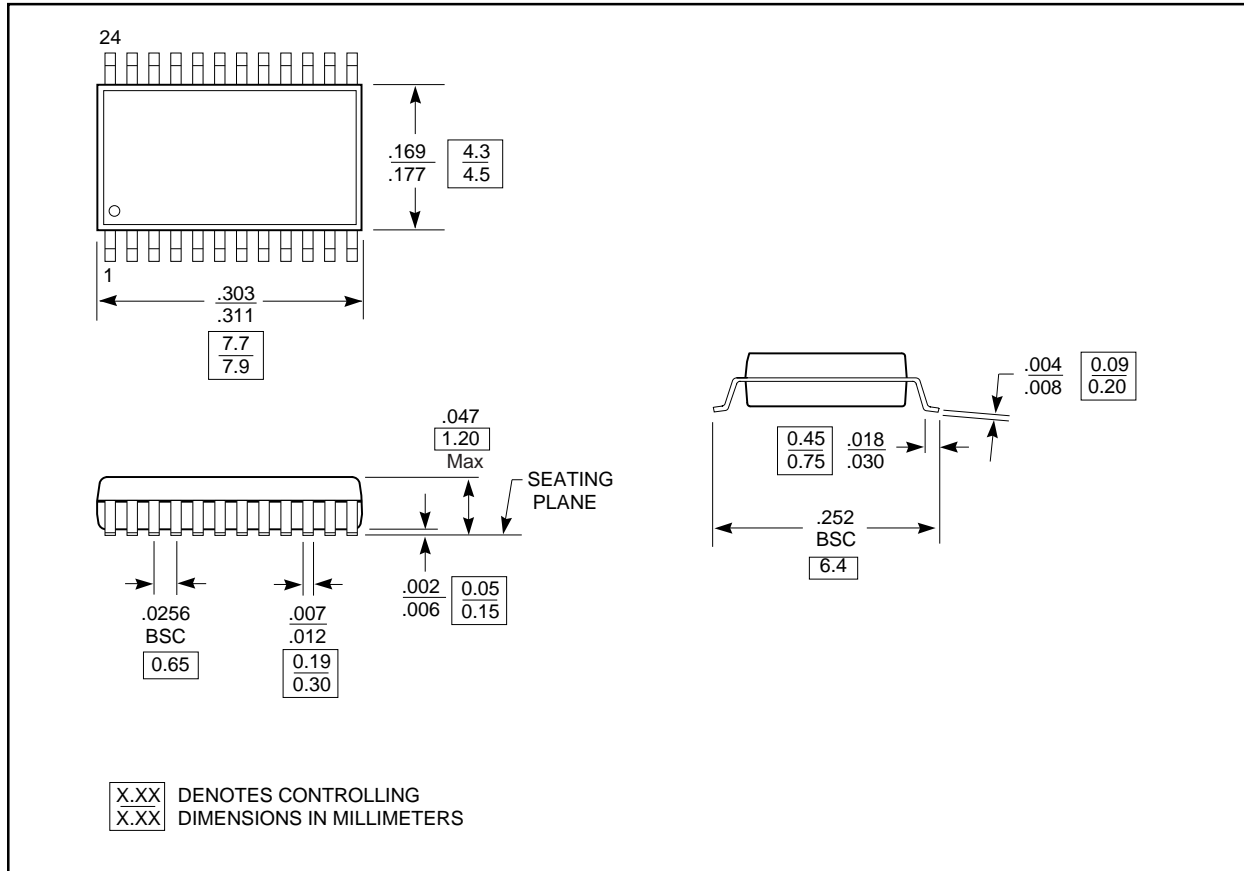
Notes:

1. C_L includes probe and jig capacitance.
2. Waveform 1 is for an output with internal conditions such that the output is LOW except when disabled by the output control. Waveform 2 is for an output with internal conditions such that the output is HIGH except when disabled by the output control.
3. All input pulses are supplied by generators having the following characteristics: $PRR < 10\text{MHz}$, $Z_O = 50\Omega$, $t_r \leq 2.5\text{ns}$, $t_f \leq 2.5\text{ns}$.
4. The outputs are measured one at a time with one transition per measurement.
5. t_{pLZ} and t_{pHZ} are the same as t_{dis} .
6. t_{pZL} and t_{pZH} are the same as t_{en} .
7. t_{pLH} and t_{pHL} are the same as t_{pd} .

24-pin QSOP (Q)



24-pin TSSOP (L)



Ordering Information

Part	Pin	Package	Width
PI5C6801CQ	24	QSOP (Q)	150-mil
PI5C6801CL	24	TSSOP (L)	173-mil

Applications Information

Logic Inputs

The logic control inputs can be driven up to +5.5V regardless of the supply voltage. For example, given a +5.0V supply, IN may be driven low to 0V and high to 5.5V. Driving IN Rail-to-Rail® minimizes power consumption.

Power-Supply Sequencing

Proper power-supply sequencing is recommended for all CMOS devices. Always apply V_{CC} before applying V_{BIAS} and signals to the input/output or control pins.

Rail-to-Rail is a registered trademark of Nippon Motorola, Ltd